

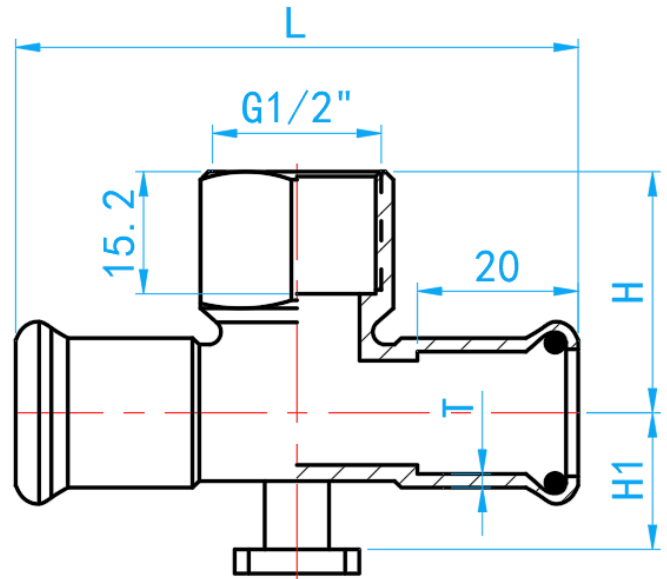
STAINLESS STEEL 316L PRESS FIT FITTINGS (M PROFILE)

COMPLY WITH BSEN1254-2: 1998

WALL PLATE FI TEE



A Product of the nPressGuard® Solution



CROSS SECTIONAL VIEW

STANDARD SPECIFICATION

Working Pressure	16 Bar
Working Temperature	0 ~ 85°C
Applications	Hot and cold potable water system.

DIMENSIONS

SKU	SIZE (mm x mm x inch)	L (mm)	H (mm)	H1 (mm)	T (mm)	WEIGHT (kg)	PCS/CTN
SS316LPFNFT015	15 × 15 × 1/2" BSP	70	32	20	1.5	0.093	140